



Grundfos SMART DDE Pumps

The DDE is a budget-friendly digital dosing pump for basic dosing applications. With a powerful variable-speed stepper motor and a turn-down ratio of up to 1:1000, the DDE dosing pump ensures smooth, continuous and ultra-precise dosing in any application.

Features and benefits

- Internal stroke-speed and frequency control with stepper motor
- Smooth continuous dosing
- Always operates at full stroke length
- Flexible mounting plate
- Capacity adjusting knob
- Manual control (0.1 - 100 %)
- Pulse control (1:n)
- External stop and empty-tank input
- Power supply 100-240 V, 50/60 Hz

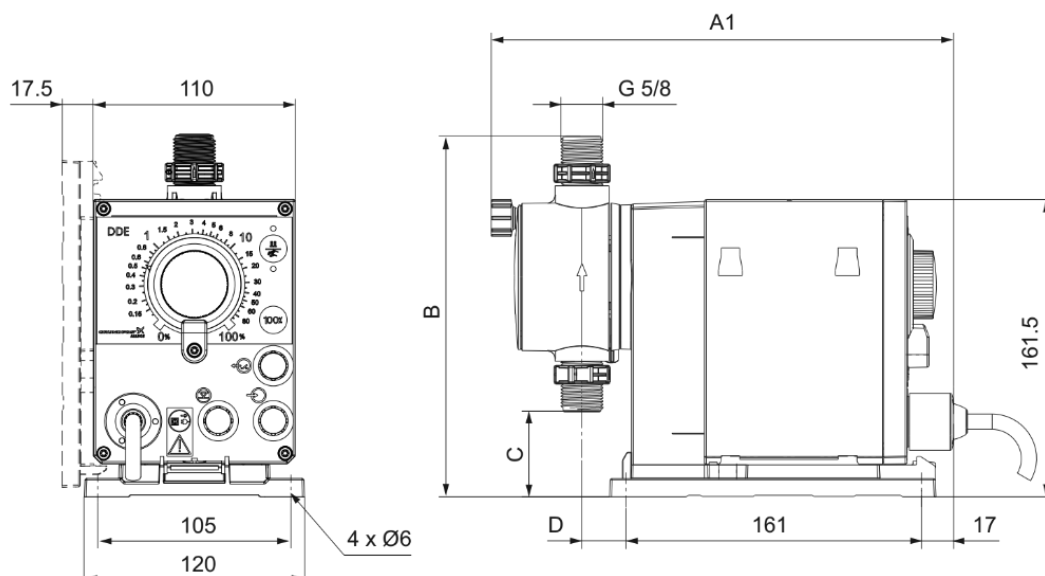
Application Areas

- Food and beverage industry
- Water and wastewater treatment
- Swimming pool water
- Chemical industry
- Irrigation



Dimensions

DDE	6-10	15-4
A1 (mm)	251	
B (mm)	196	200.5
C (mm)	46.5	39.5
D (mm)	24	





Technical Specifications

Mechanical Data	DDE	6-10	15-4
Turndown Ratio		1000	
Max. Dosing Flow (l/h)		6.0	15.0
Min. Dosing Flow (l/h)		0.006	0.015
Max. Operating Pressure (bar)		10	4
Repeatability (%)		±5	
Max. Suction Lift (m)		6	
Max. Suction Lift when Priming with Wet Valves (m)		2	3
Max. Viscosity (without Spring-loaded Valves) (mPa·s)		50	
Max. Viscosity (SlowMode, Spring-loaded Valves) (mPa·s)		600	500
Media Temperature (°C)		-10 to 45	
Ambient Temperature (°C)		0 to 45	
Storage Temperature (°C)		-20 to 70	
Electrical Data	DDE	7.5-16	12-10
Voltage (V)		100-240V, 50-60Hz	
Inrush Current @ 100V (A)		8	
Inrush Current @ 230V (A)		25	
Max. Power Consumption (W)		12	
Enclosure Class		IP65, Nema 4X	
Weight/Size	DDE	7.5-16	12-10
Weight (PVC, PP, PVDF) (kg)		2.4	
Weight (Stainless Steel) (kg)		3.2	
Diaphragm Diameter (mm)		44	50
Sound	DDE	7.5-16	12-10
Max. Sound Pressure Level (dBA)		60	
Approvals	DDE	7.5-16	12-10
		CE; CSA-US; NSF61; GHOST; C-Tick	

Ordering

Astles Control Systems are distributors for the entire range of Grundfos dosing pumps. Please send us an email or give us a call with your application details. We will be able to advise the best pump for your application together with price and delivery information.

Email: sales@Astles.co.uk

Phone: +44 (0)1844 273301

